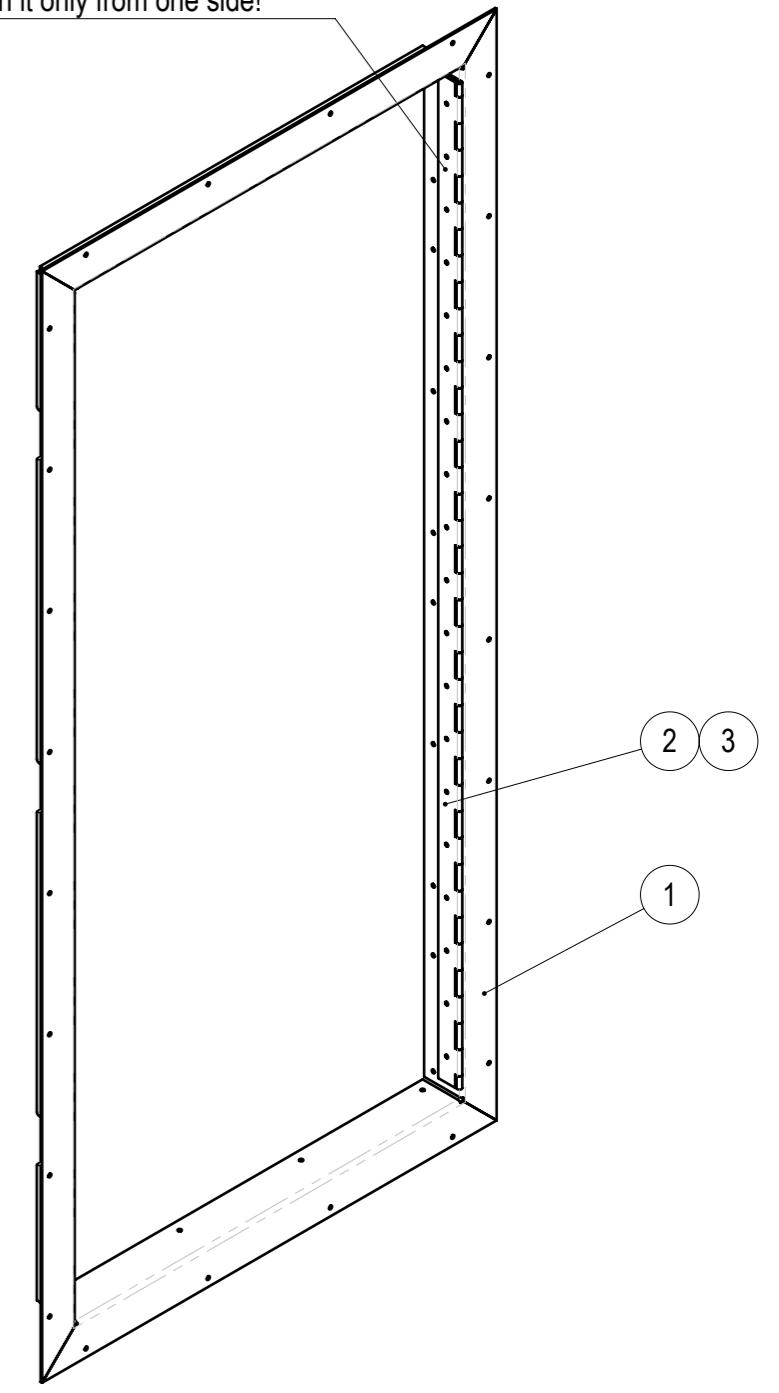
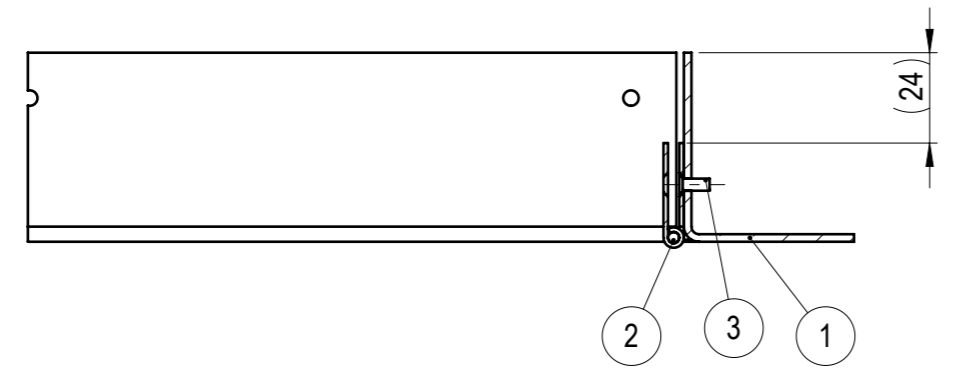


Default lenght from manufacturer of piano hinge pos. 2 is 2040mm
Shorten it to the lenght of 1140mm. Shorten it only from one side!



C-C
SCALE: 1 : 2



NO.	PART NO	DESCRIPTION	MATERIAL	PROCESSING	REVISION	WEIGHT	QTY	
1	105-30235-00	Inner hatch frame weldment	-	WLD PNT		4.88	1	
2	105-30231-01	Piano hinge Kipp_K2161.1105012	A2	CND		0.69	1	
3	ISO-15980-3,2x6 (1,5-3,5)	RIV-CS-A2/A2-(3,0-5,0)-3,2X8,0	A2/A2	COTS		0.00	10	
		MATERIAL	WEIGHT	DEBURR AND BREAK SHARP EDGES DO NOT SCALE DRAWING		REVISION	DATE	
		-	5.576 Kg				02.06.2025	
		SURFACE PROTECTION	MACHINING	THERMAL CUTTING	WELDING	SCALE	FORMAT	
		-	ISO 2768 mK	ISO 9013 221	ISO 13920 BF	1:10	A3	
	NAME	SIGNATURE	PART NO. 105-30231-00					
Designed by	E. Kriviss		DESCRIPTION				SHEET 1/1	
Drawn by	M. Supols		Inner hatch frame assembly					
Technical ref.								